

## Model 380 Series Filter

### SPECIFICATIONS

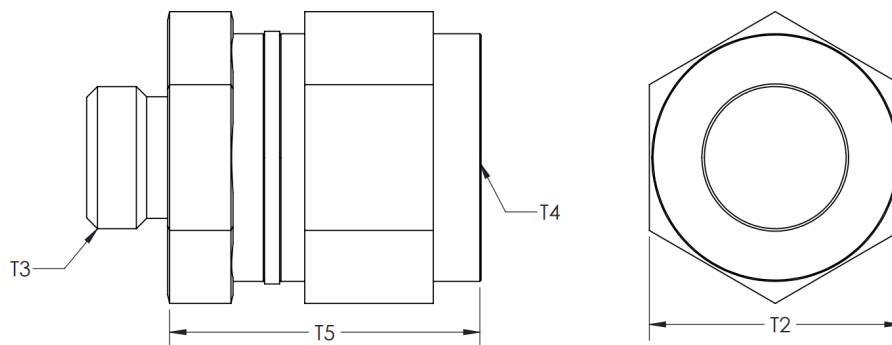
Element	Stainless steel woven mesh
Size(s)	5 and 10 micron
Maximum Operating Pressure	6000 psi (414 bar)
Port Size(s)	1/8" NPT (MALE-FEMALE)
Weight	0.108kg



### MATERIALS OF CONSTRUCTION

Body	Stainless steel, type 304
Element	Stainless steel, type 316
Seals	None

### DIMENSIONS



MALE-FEMALE COMBINATION

T2: 1.00" HEX size

T3: 1/8" NPT (MALE)

T4: 1/8" NPT (FEMALE)

T5: 1.25" MALE-FEMALE (Flat to Fitting)